



Buckaroos Pipe Insulation Supports



Description

A Buckaroos Support is a convenient wood dowel spacer for pipe insulation at hanger locations. The wood dowel is adhered to a PVC Disc, providing a one-piece support system with a built-in vapor barrier. The PVC Disc meets a 25/50 Flame/Smoke rating.

The Buckaroos Support Pipe Insulation System features the Easy-Grip Stainless Steel Hole Cutter, which requires a simple twist of the wrist and light pressure to make your hole in the insulation for the Buckaroos Support. ASJ Tape Discs are available to be applied over the PVC Discs for systems which require a complete vapor seal.

Features and Benefits

- Installation is quick, easy, and low-cost. Just cut your hole and insert the Buckaroos Support. The support can be installed after the pipe insulation is applied, versus cutting out for blocks or dowels before installation of the pipe insulation.
- Buckaroos Supports are excellent for chilled water piping.
- Buckaroos Supports fit especially well with vapor barrier systems because the PVC disc is also a vapor barrier. When used with ASJ tape discs, Buckaroos supports re-establish the vapor barrier.
- Buckaroos Supports are easy to identify. The contractor and engineer can view the PVC disc from the outside of the insulation and verify that there is a support in place.

- Buckaroos supports are packaged 25 per bag. They are easy to carry with little risk of loss or waste on jobsites.

- Buckaroos Supports come ready to use. No cutting, no costly delays or bulky storage problems on jobsites.

Applications

Buckaroos Supports are used at hanger locations where the insulation must resist compression. Buckaroos Supports rest on the Buckaroos Insulation Saddle, which is installed between the insulation surface and the pipe hanger.

Buckaroos Supports can be used on piping when operating temperatures range from -120°F to +200°F. Buckaroos Supports work well with fiberglass, rubber, polyethylene, urethane, and mineral wool pipe insulations.

Sizes Available

Sizes Available						
Buckaroos Support Length	1/2"	3/4"	1"	1 1/2"	2"	2 1/2"
Wood Dowel Width	3/4"	3/4"	1"	1"	1"	1"

Guide Specifications

Wherever pipe insulation passes through a hanger location, install the Buckaroos Insulation Support System with Buckaroo Saddles. The length of the Buckaroos Insulation Support must be the same length as the pipe insulation thickness. The following table explains the number of Buckaroos Supports needed, based on the pipe size.

Pipe Size	Number of Buckaroos Supports per Hanger
Up to 2 1/2" IPS	1
3" to 5 1/2" IPS	3
6" IPS and over	9

Recommended Installation Instructions

For chilled water, refrigerant, or brine piping, which requires a total vapor seal, an ASJ Tape Disc must be adhered over the outside of each Buckaroos Support to provide a complete vapor seal.

Buckaroos Supports should be installed from the outside of the pipe insulation after the insulation has been installed on the pipe. Buckaroos offers the Easy Grip Hole Cutter, which is perfect for the installation of Buckaroos Supports. After cutting the hole in the outside of the insulation, insert the Buckaroos Supports. If a complete vapor seal is required, apply an ASJ Tape Disc over the outside of the PVC Disc.

For iron piping that is 2 ½" and smaller, one Buckaroos Support per hanger is sufficient. Place it exactly at the base of the hanger as shown in *Figure 1*.

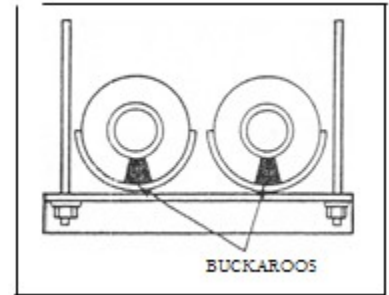


Figure 1

For piping 3" to 5 ½", place three Buckaroos Supports in the lower 180-degree arc of the pipe, exactly at the hanger location, as shown in *Figure 2*. Three Buckaroos Supports are required to eliminate the possibility of large or heavy pipes teetering on the base of the Buckaroos Support.

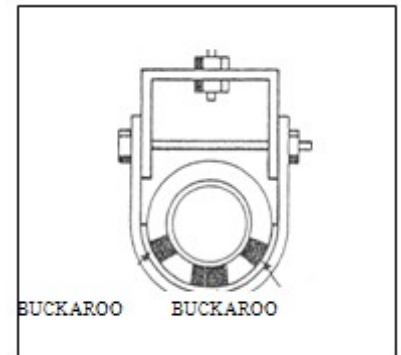


Figure 2

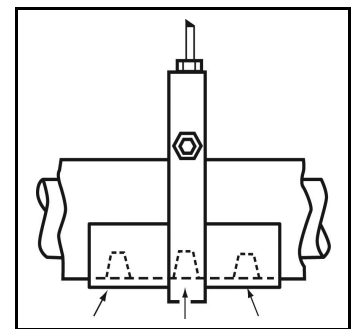


Figure 3

For piping 6" and over, nine Buckaroos Supports should be strategically placed similar to the first three, as shown in *Figure 3*. They should all be within the length of the hanger protection saddle.